



Stock Tank Hot Tub DIY

BY ANDI BRABIN



Buildahottub
.com



Ultimate Stock Tank DIY Guide

Disclaimer

These Design Notes, Tips and Tricks are supplied for **informational purposes only**. www.buildahottub.com and Amandi Holdings Limited assume no responsibility for loss, injury or damage that arises out of misuse of this information.

Hello,

Thanks for downloading this guide and plans from www.buildahottub.com

I hope you find it useful. Always happy to hear any feedback that you have so do feel free to drop me a line at andi@buildahottub.com

Happy Hot Tubbin'

Andi



Table Of Contents

Structure	3
Plumbing	4
Recommendation	5
Inward Flow	5
Outward Flow (into the Hot Tub)	7
Pipe Rings	8
The Blower	8
Plumbing Diagrams	9
No Jets - Heating and Filtration Only	9
4 Jets (with skimmer)	10
4 Jets (no skimmer)	13
8 Jets (with skimmer)	14
16 Jets (with skimmer)	15
How to Build the Ultimate Control Room for your Hot Tub	16
Assembly Steps	20

Assembly Guidance	40
Hole Cutting.	41
Fitting the Jet Bodies	44
Fitting the Drains	46
Bill of Materials	48

Structure

The Hot Tub is formed from a stock tank the size of which is to be chosen by the client. If you have not yet purchased one, the best place and cheapest place is Tractor Supply. The plumbing is designed to take a tub up to approximately 10'-12' in diameter.

The position of the jets is up to the client. The design is flexible so that the jets can be placed anywhere around the Stock Tank.

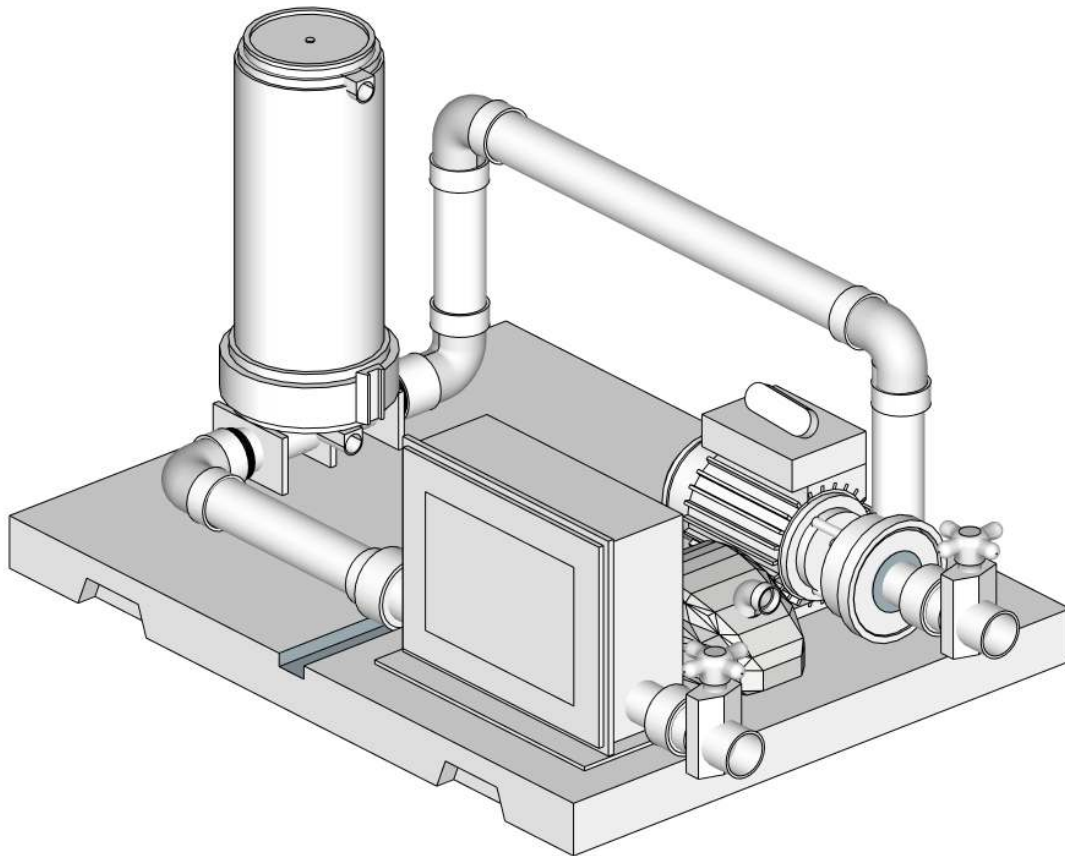
The Height of the jets is up to the client. Again, this can be adjusted on site to suit the Stock Tank.

The Lower Drains should be placed at the bottom of the Stock Tank. Again, the position is flexible as these are not for draining the tub but are for water intake into the pump. In terms of spacing between the two drains, again flexible. It is advised to have at least 1' between the two drains.

The "Control Room" needs to be covered to keep out the weather and the elements. The components are not waterproof.

Plumbing

This is the main control SKID and comprises of a +/- 4HP dual speed (circulation and High) Pump, Blower, Spa Control Pack (including +/- 5KW Heater) and 50 SQ Ft Inline Filter.



There is a non-return valve placed onto the blower to ensure water cannot pass into the blower. The shape of the blower may vary from the drawing above but the functionality is the same.

There are isolation taps on both ends of the system, Spa Control pack and Pump. This is so the filter and parts can be isolated for maintenance without the need for draining the Tub.

This SKID requires a 60A supply of electricity to make it function correctly at 240V and 60Hz.

You can read more about the electrical requirements here -

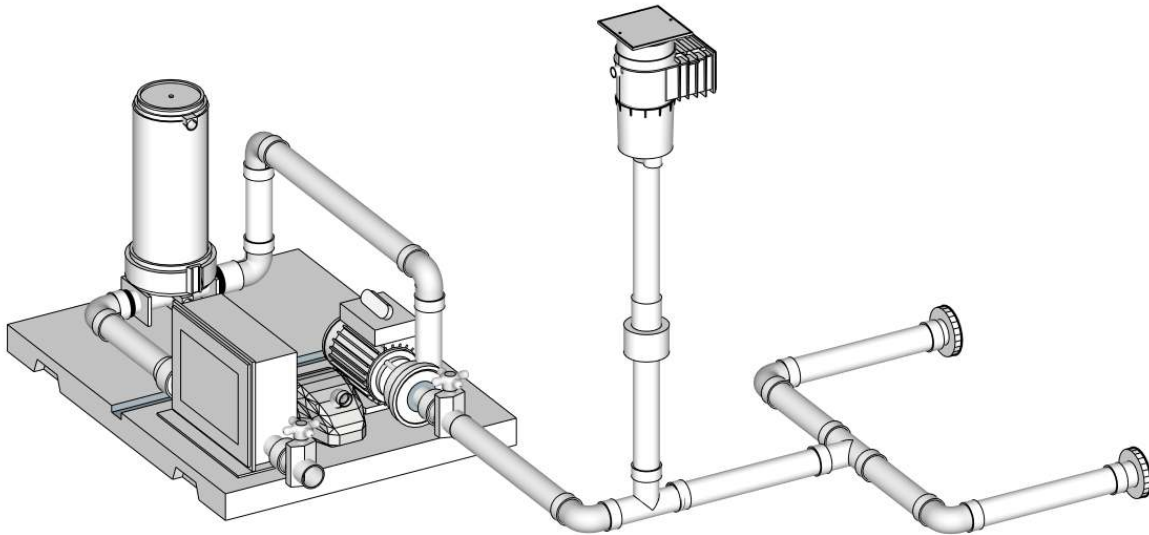
<https://buildahottub.com/a-guide-to-hot-tub-electrics/>

Recommendation

An IP65 60AMP Rotary Isolator Switch is also recommended so that the hot tub can be isolated in an emergency or for service work. This is simply a rotary on/off switch but should be sited more than 6ft from the hot tub so that bathers cannot be in the hot tub whilst touching the switch.



Inward Flow



The inward plumbing comprises of a Skimmer placed into the side of the Stock Tank Hot Tub. (Please note, it is also possible to run the stock tank hot tub without a skimmer) The water line is dictated by the height of the skimmer so the centre of the Skimmer should be placed at the top of the tank.

The diagram shows how the drains need to be connected to the skimmer. The drawing above is expanded so you can clearly see what parts connect to which pipes. Actual placement may change on site. There are additional 90 degree 2" connections in the bill of materials to allow the position to change if needed.

The Skimmer is connected by two floor level drains located approximately 4" to the centre of the drain from the floor. Please note, these are not drains to empty the tub, they are to allow water circulation. Skimmer connects on 1.5" connection. There is a 1.5" to 1" reducing bush to drop the pipework down to 1" to connect to the inlet drains.